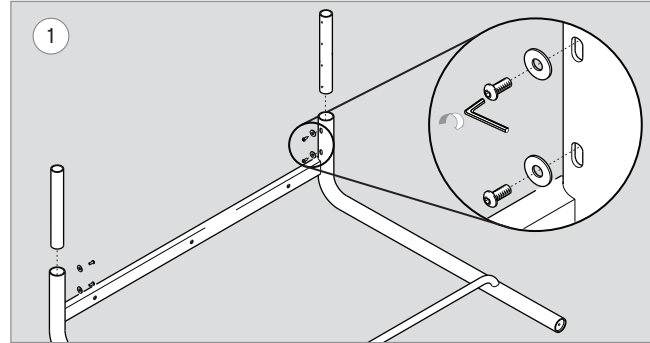


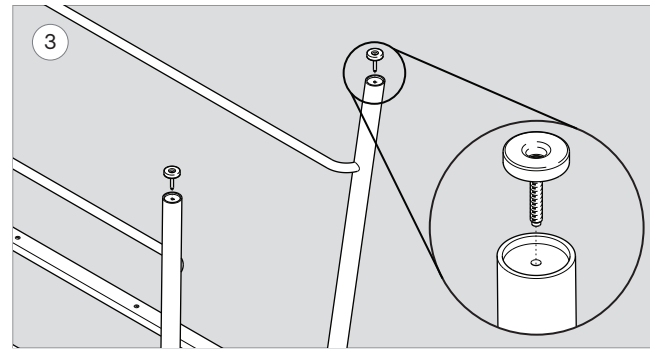
DIVISION TWELVE

Hectic Table

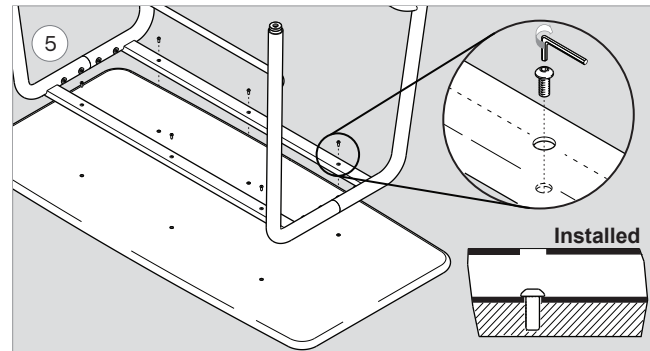
Assembly Instructions



Using the 5/32" hex key, fasten the cross tube (x2) to the first table leg with 1/4 - 20 x 5/8" button head cap screw (x4) and 1/4" lock washer (x4).



Screw the glide (x4) into each table leg.



Using the 5/32" hex key, fasten the table base to the table top with 1/4 - 20 x 5/8" button head cap screw (x6 for a 66 inch table or x8 for a 90 inch table).

Tool Required

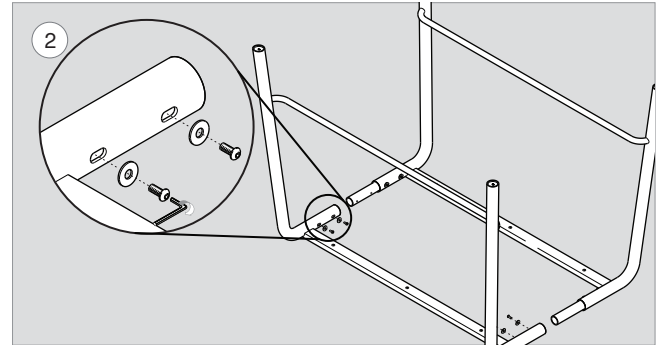
5/32" Hex Allen Key

Hardware Included

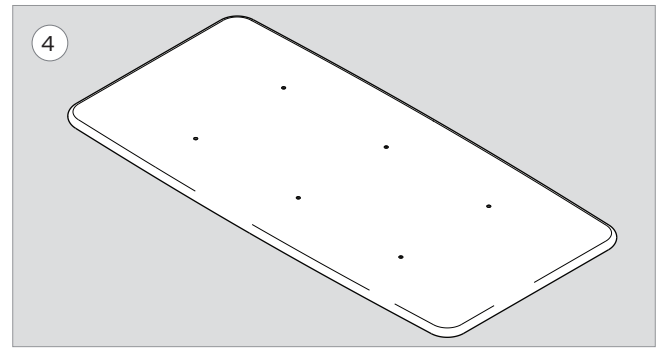
1/4-20 x 5/8"
Button head cap screw
(x14) per 66 inch table
(x16) per 90 inch table

1/4"
Flat washer
(x8)

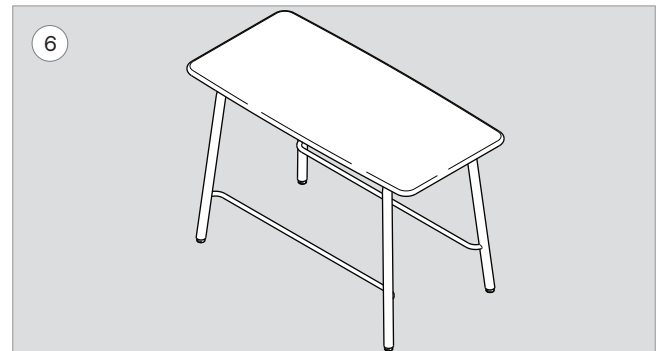
Glide
(x4)



Using the 5/32" hex key, fasten the now attached first table leg and cross tube to the second table leg with 1/4 - 20 x 5/8" button head cap screw (x4) and 1/4" lock washer (x4)



Place the table top upside down on a blanket.



Flip the table right side up, take your right hand, and proceed to pat yourself on the back. Your Hectic is now complete and ready to thrive in the most chaotic spaces.