

DIVISION TWELVE

Funk Table

Assembly Instructions

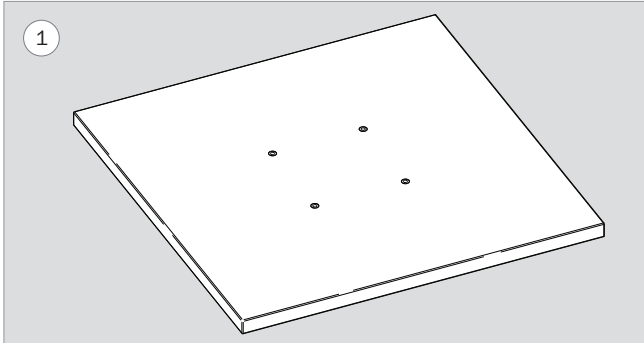
Tool Required

5/32" Hex Allen Key

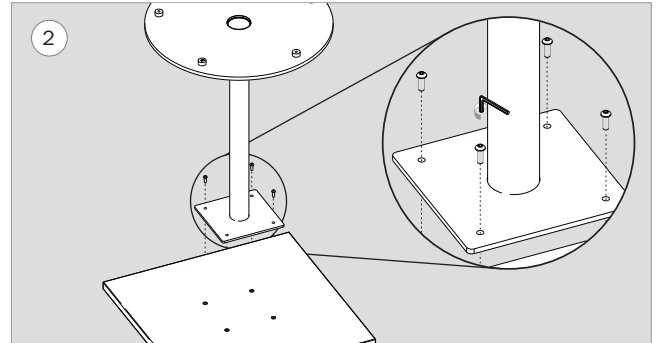
Hardware Included

1/4-20 x 3/4"
Button head cap screw
(x4)

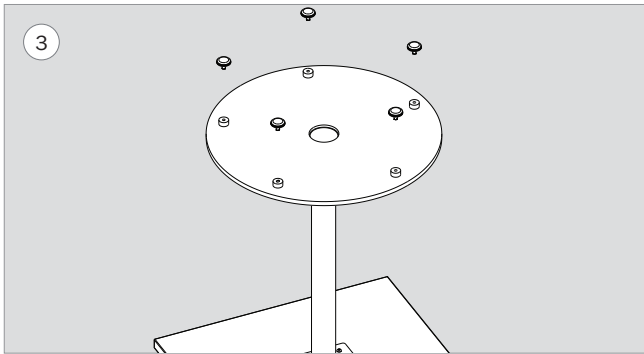
Adhesive Glide (x5)



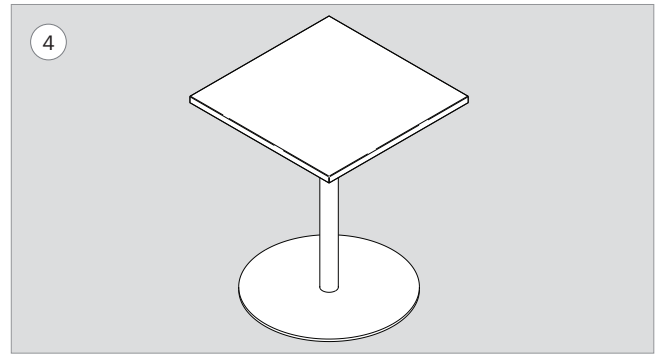
Place the table top upside down on a blanket.



Using the 5/32" hex key, fasten the base sub assembly with 1/4 - 20 x 3/4" button head cap screw (x4).



Attach the adjustable glides (x5) to the bottom of the base plate at the lug locations.



Proceed to flip the table top into its final position.